

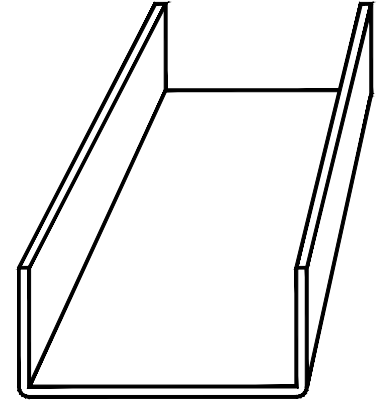
Frametek Steel Unpunched U-Shaped Channel

Geometric Properties

Frametek Steel Channels are fabricated with 1-1/2" webs and 1/2" flange heights. All Frametek Steel Channels are produced from hot-dipped galvanized steel in a G60 coating. G90 is available on request.

Steel Thickness

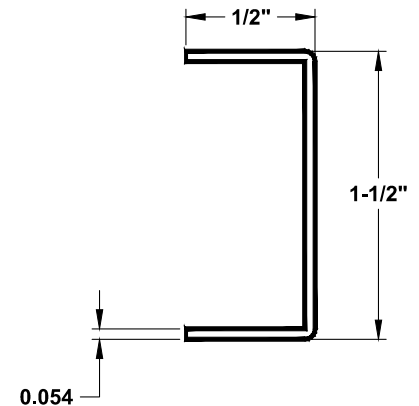
Mil Thickness	Design Thickness	Minimum Thickness, inches (mm)
54 (16GA)	0.0566 (1.44mm)	0.0538 (1.37mm)



- 1) Uncoated Steel Thickness is for carbon sheet steel
- 2) Minimum Thickness represents 95% of the design thickness and is the minimum acceptable thickness delivered to the job site based on Section A4.3 of the AISI S100-2007

Color Code (painted on ends)

54 Mil: Green



LEED Points and Recycled Content

By using Frametek Steel Products your project can contribute to earning LEED points for:

- 1) LEED MR 2.1 and 2.2: Construction Waste Management: Up to 2 points.
- 2) LEED MR 4.1 and 4.2: Recycled Content: Up to 2 points.
- 3) LEED MR 5.1 and 5.2: Regional Materials

Frametek Steel Products cold-formed steel framing products contain 30% to 35% recycled steel.

These products are produced from steel consisting of the following contents:

- 1) Total Recycled Content: 32.9%
- 2) Post-Consumer Content: 25.6%
- 3) Pre-Consumer Content: 6.8%