

## Frametek Steel Prime Stud

### Geometric Properties

Frametek Steel Prime Studs are fabricated in several web widths and flange heights. All Frametek Steel structural and non-structural studs are produced from hot-dipped galvanized steel in a G40 or G60 coating. G90 is available on request.

#### Steel Thickness

Mil Thickness	Design Thickness	Minimum Thickness, inches (mm)
15 (30GA)	0.0156 (0.40mm)	0.0140 (0.36mm)
19 (26GA)	0.0189 (0.48mm)	0.0179 (0.45mm)

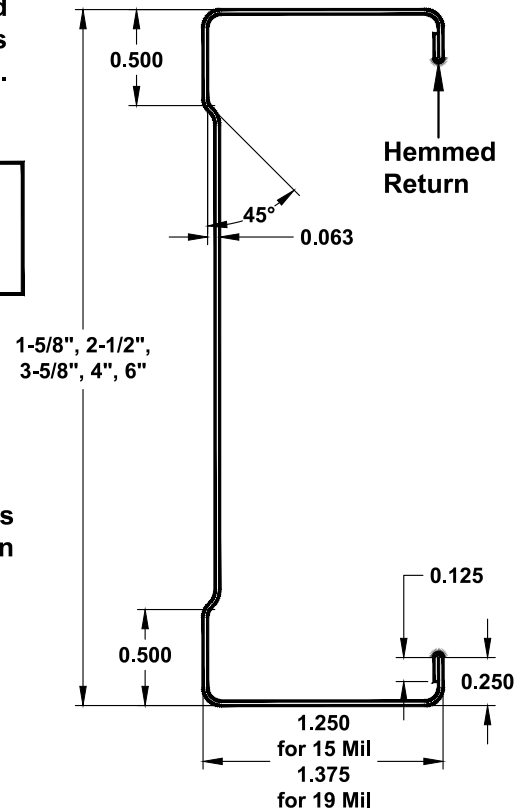
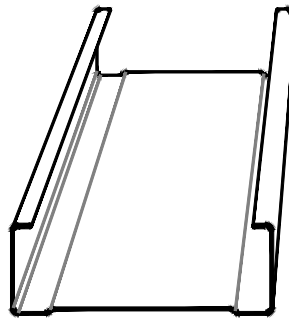
- 1) Uncoated Steel Thickness is for carbon sheet steel
- 2) Minimum Thickness represents 95% of the design thickness and is the minimum acceptable thickness delivered to the job site based on Section A4.3 of the AISI S100-2007

#### Color Code (painted on ends)

- 15 Mil: None
- 19 Mil: Pink

#### ASTM & Code Standards

ICC-ESR 3503



#### LEED Points and Recycled Content

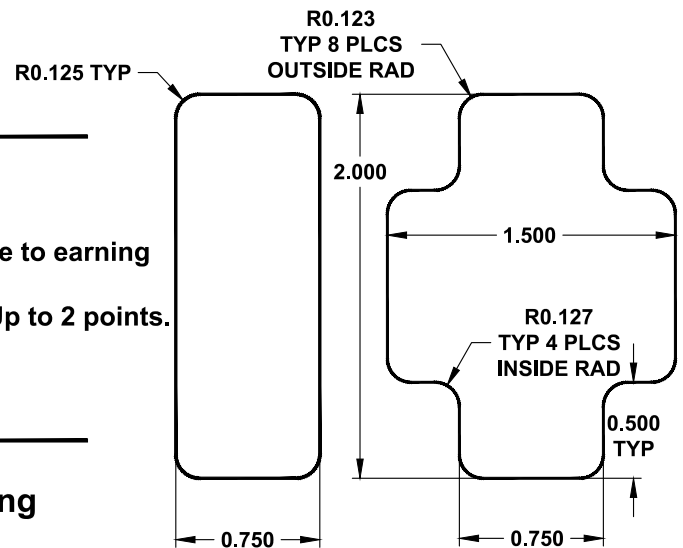
By using Frametek Steel Products your project can contribute to earning LEED points for:

- 1) LEED MR 2.1 and 2.2: Construction Waste Management: Up to 2 points.
- 2) LEED MR 4.1 and 4.2: Recycled Content: Up to 2 points.
- 3) LEED MR 5.1 and 5.2: Regional Materials

#### Frametek Steel Products cold-formed steel framing products contain 30% to 35% recycled steel.

These products are produced from steel consisting of the following contents:

- 1) Total Recycled Content: 32.9%
- 2) Post-Consumer Content: 25.6%
- 3) Pre-Consumer Content: 6.8%



PUNCH-OUT DIMENSIONS FOR 1-5/8" TO 2-1/2" STUDS

PUNCH-OUT DIMENSIONS FOR STUDS LARGER THAN 2-1/2"